

**UKL Vacuum Breaker :-**

UKL Vacuum Breaker is designed to protect plant & process equipment against the effect of vacuum, & the same time allow condensate to drain. Typically used on steam inlet to air coils, heat exchangers, sparge system, jacketed kettles, boiler feed water, chilled water lines & liquid process lines, all of which at one time or another generate vacuum conditions which must be relieved to allow proper system operation.

**SPECIFICATIONS :-**

Vacuum Breakers shall be used on all modulating or on/off heat exchangers & coils, except in vacuum return systems. They shall be installed in supply side between the control valve & equipment & be of hardened ball check valve design with all working parts manufactured from stainless steel. Body shall be made from stainless steel depends on application, & shall be suitable for operating conditions of 21 bar (g).

**BODY DESIGN CONDITIONS:**

- Max. Allowable pressure : 25 bar (g) @ 100°C
- Max. Allowable Temperature: 400°C @ 17.1 bar (g)
- Cold Hydro test pressure : 32 bar (g)

**OPERATING CONDITIONS:**

- Max Operating pressure : 21 bar (g)
- Max Operating Temperature : 400 °C @ 13.8 bar (g)

**AVAILABLE SIZES:-**

1/2” & 3/4”

**END CONNECTIONS:**

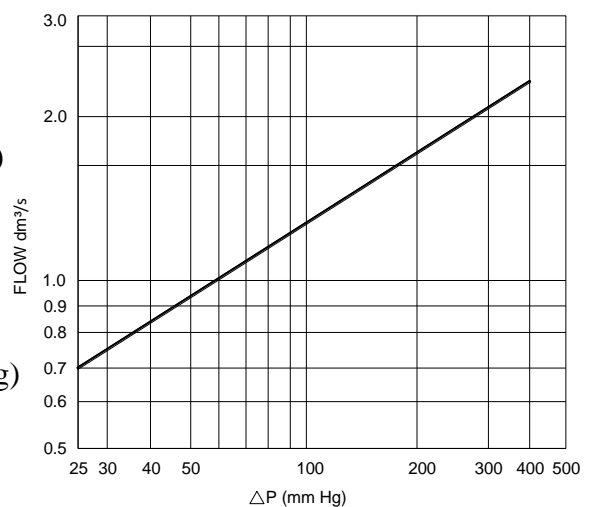
Screwed end to BSPT/NPT (As per customer requirement)



**OPERATING CHARACTERISTICS:-**

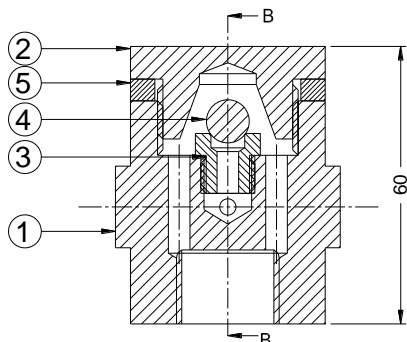
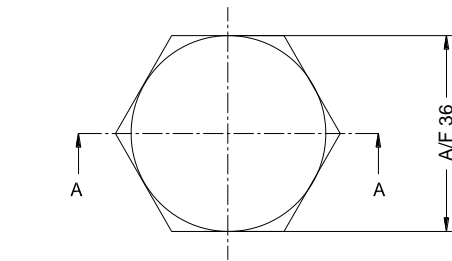
Vacuum required to open : 4.6 mm in Hg

**Air Handling Capacity**

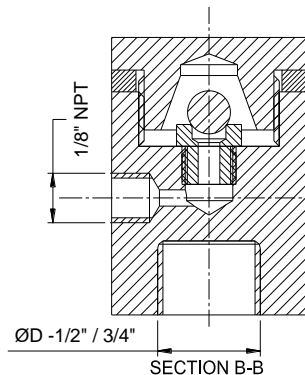


**MATERIAL OF CONSTRUCTION:**

ASTM A 276 Type 316



SECTION A-A



5	GASKET	SPIRALLY WOUND GASKET WITH GRPAHITE FILLER	01
4	STEEL BALL	SS 440 C	01
3	SEAT	AISI 304	01
2	TOP COVER	ASTM A 276 TYPE 316	01
1	BODY	ASTM A 276 TYPE 316	01
ITEM	DESCRIPTION	MATERIAL CODE	QTY
BILL OF MATERIAL			

NOTE –

# for Material other than Bill of material , Consult Factory

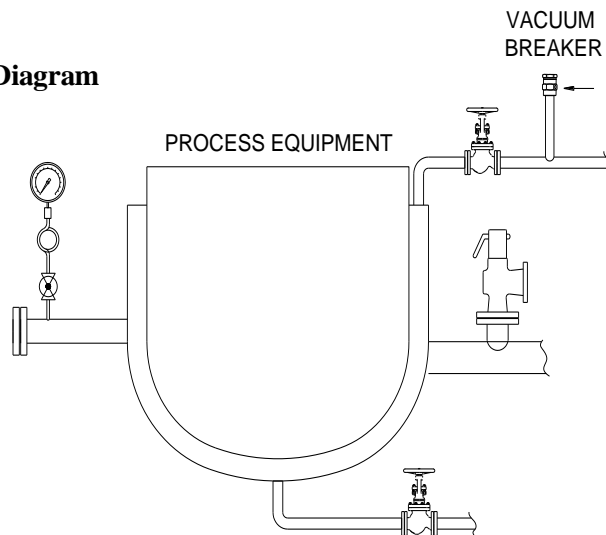
### INSTALLATION:-

Always Install in a vertical position with cap at the top. Generally the device should be mounted on the highest point of circuit. Large coils or equipment may require more than one vacuum breaker to be fitted. An isolating valve should be fitted to facilitate servicing.

### MAINTENANCE:-

After Vacuum Breaker is isolated from system pressure, the cap can be unthreaded to examine the valve & valve seat areas for debris which can become trapped & cause breakage of system pressure during normal operation.

### General Installation Diagram



Cast / Forged Steel Piston Valves, Bellow seal valves, High Pressure valves (Gate/Globe) , Strainers – “Y” Type Steam Traps (Thermodynamic, Thermostatic, Ball Float Traps), Pressure Reducing Station, Condensate Recovery Products. Level Gauges (Reflex, Transparent, Bicolor), Sight Glass, Hot Water Generation System, Safety and Relief Valves. FSD Products : Compressed Asbestos / Non Asbestos Fiber Sheetting / Cut Gaskets, Spiral Wound Gaskets.

In view of technical progress design and dimensions are subjected to change without notice.

**UKL** <sup>®</sup> **UNI KLINGER LIMITED**  
A joint venture of the Neterwala group of companies and KLINGER AG. Switzerland.

Central Sales Office & Pune Branch : SC1, 5<sup>th</sup> Fl., Kohinoor Est. Mumbai-Pune Highway, Khadki, Pune-411 003. Tel.: +91-20-4102 3000 Fax.: (020) 4102 3001  
e-mail : [salescs@uniklinger.com](mailto:salescs@uniklinger.com), [salespune@uniklinger.com](mailto:salespune@uniklinger.com), Website : [www.uniklinger.com](http://www.uniklinger.com)

Factory : C-37, M.I.D.C., Ahmednagar- 414 111, Maharashtra, Tel. : 0241 – 2777223/2777512 Fax : 0241 – 2777294, E-mail : [fdworks@uniklinger.com](mailto:fdworks@uniklinger.com)

**Branch Offices :**

**Baroda** : 102, 1st Floor, Otel Towers-II R.C. Dutt Road, Baroda-390 005, Tel.: 91-0265-2312343/2340660, Fax.: 91-265-2341419. E-mail : [salesbar@uniklinger.com](mailto:salesbar@uniklinger.com)  
**Chennai** : East Coast Centre, 5<sup>th</sup> Floor, 553, Mount road, Teyanampet, Chennai - 600 018, Tel.: 91 - 44 - 24345707. Fax.: 91 - 44 - 24343960. E-mail : [saleschen@uniklinger.com](mailto:saleschen@uniklinger.com)  
**Kolkata** : 9, Chitrakoot, 8th Floor, 230 A, AJC Bose road, Kolkatta-700 020, Tel.: 91-33-22872510, Fax.: 91-33-22876494. E-mail : [salescal@uniklinger.com](mailto:salescal@uniklinger.com)  
**Mumbai** : 22, 2nd Flr, Shreeji Arcade CHS, Almeda road, Thane-400 602, Tel.: 91-22-25918451/60/62 91-22-25440461, Fax.: 91-22-25440463. E-mail : [salesmum@uniklinger.com](mailto:salesmum@uniklinger.com)  
**Delhi** : 321, Ansal Chamber-II, 6, Bhikaji Cama Place, New Delhi-110 066, Tel.: 91-11-41658767, 91-11-2619384, Fax.: 91-11-41658768. E-mail : [salesdel@uniklinger.com](mailto:salesdel@uniklinger.com)